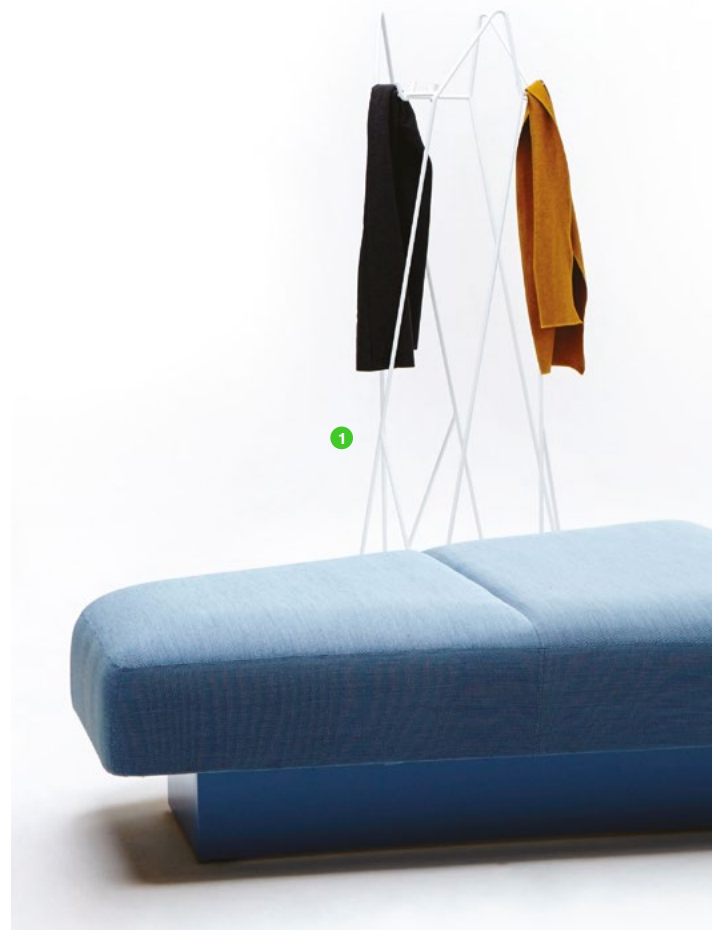


shard

Coatstand



Design

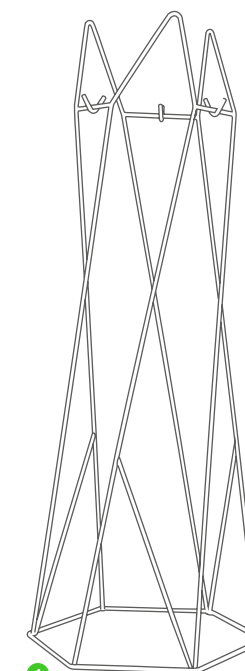
Shard is a simple coat stand, but with a bold and graphic aesthetic, that can be used as a decorative piece. Functional yet beautiful, Shard works seamlessly alongside other bent wire products such as Viv, Reg or Pollen and particularly well in the Workplace or Hospitality industry.

Technical

Shard is 100% recyclable, constructed from mild steel wire and welded together into one piece, then finished with a hard wearing polyester powder coat.

Shard is available in a variety of RAL colours, to help to create your statement piece.

*All dimensions quoted are rounded to the nearest 5mm or nearest 1/2 inch.



1 SHARDCOMP
Shard coatstand
metric (mm)
W630 D551 H1633
imperial (in)
W25 D21.5 H64.5

Finishes



White powder coated steel frame as standard



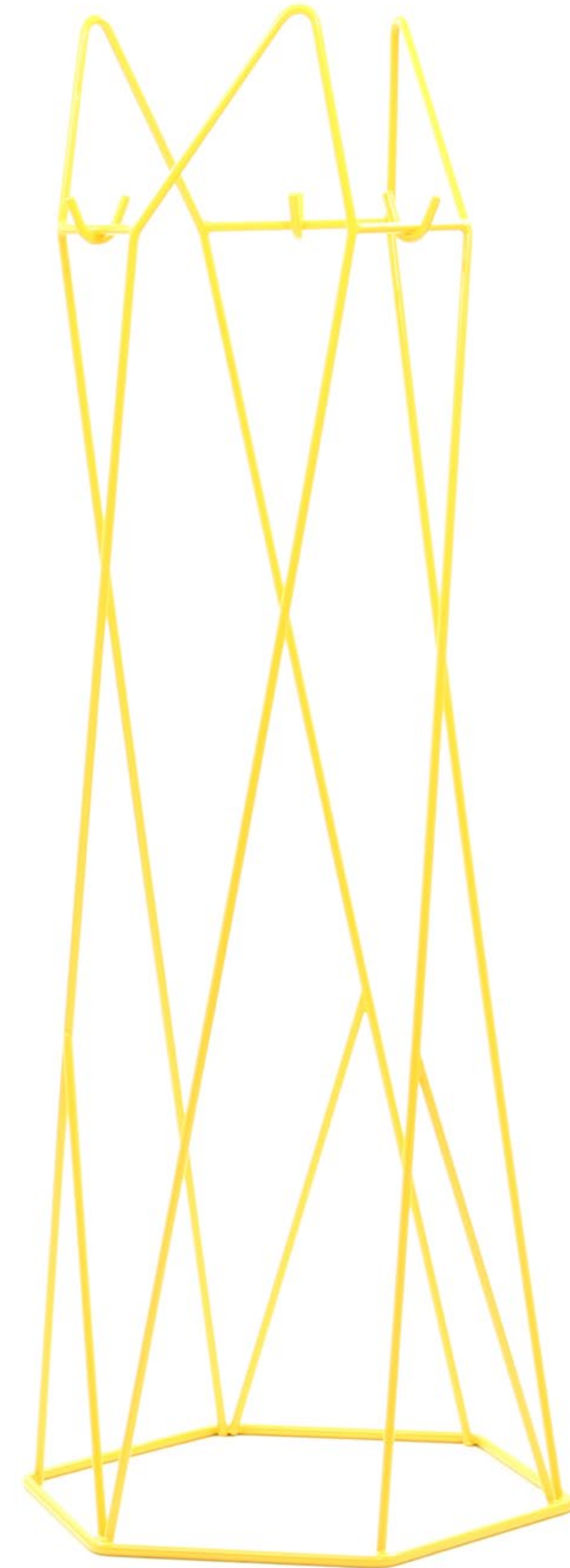
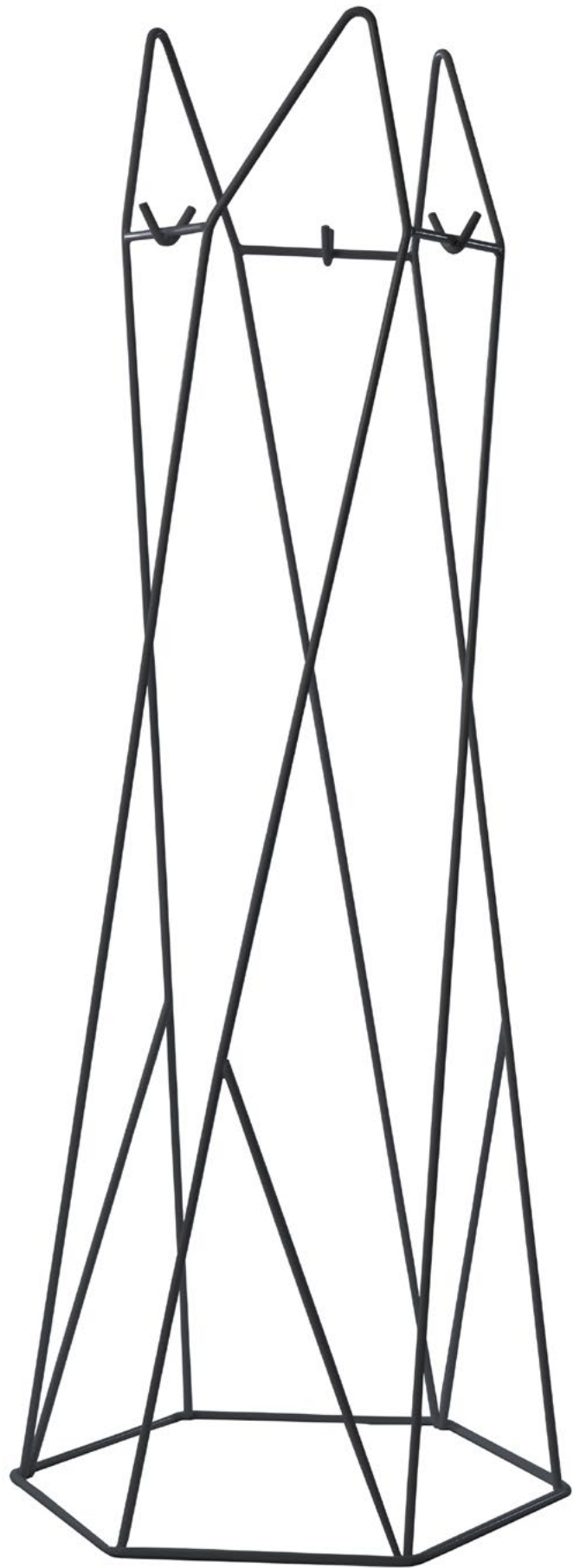
Black powder coated steel frame as standard



Powder coated steel frame in naughtone RAL colour selection









Shard coatstand technical specifications

Servicing

If a component is damaged and needs replacing then please email our team with an image of the damaged part and reference your order number, we will be happy to facilitate any replacements.

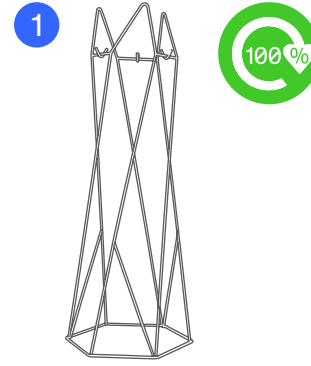


Warranty

naughtone offers a **5-year** warranty across all products. Details on the terms and conditions of naughtones warranty can be found [here](#)

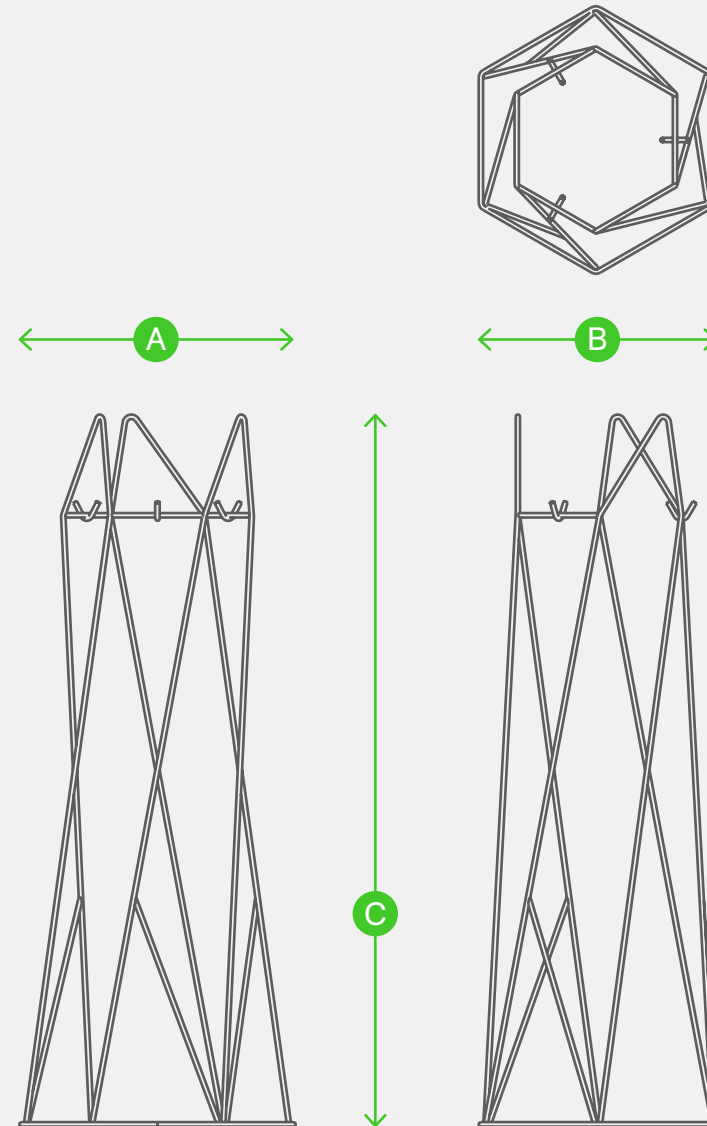


Shard coatstand technical specifications

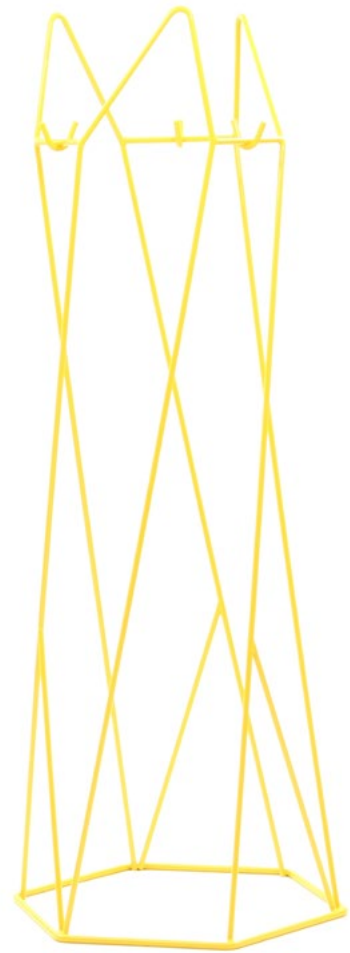


Product code and description	A Width	B Depth	C Height	G Weight
1 SHARDCOMP Shard coatstand	630 mm 25 in	551 mm 21.5 in	1633 mm 64.5 in	11.6 kg 25.6 lbs

Measuring Guide



Shard coatstand environmental product summary



Environment attributes

- naughtone is **FISP** and **ISO14001** certified
- **11.6 kg** total weight
- **100% Recyclable** (frame)
- **61% Recycled content** (frame)

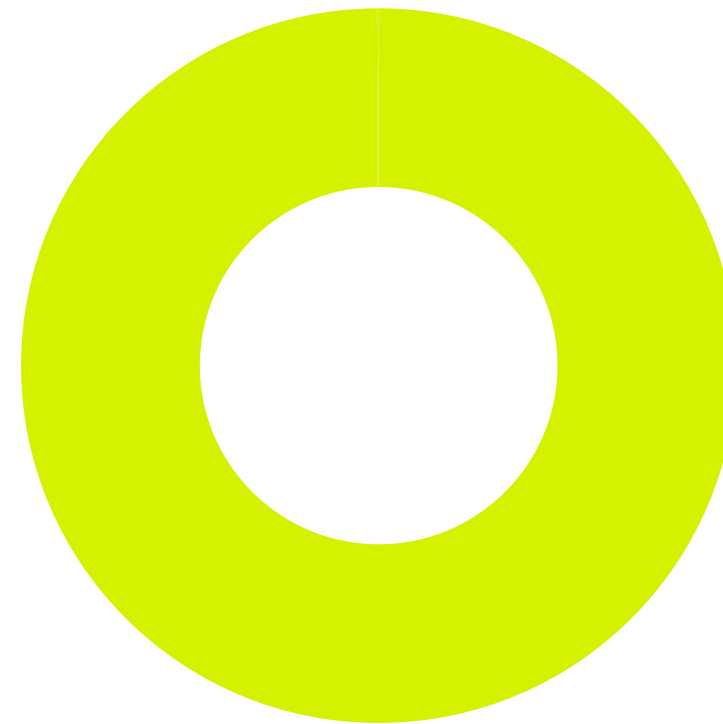
These attributes can help you to achieve criteria towards **LEED, BREEAM, Ska** and **WELL** building certifications



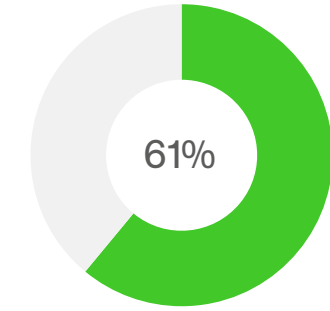
Shard coatstand environmental product summary

Material Percentage Split

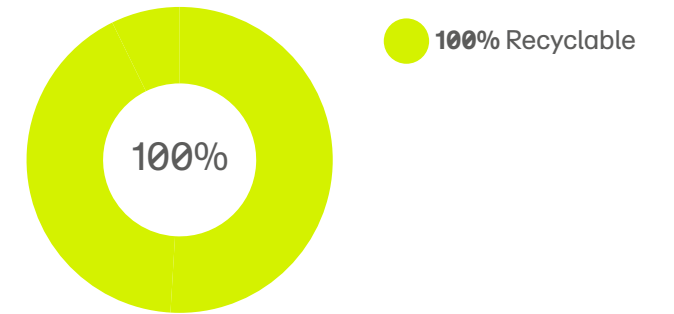
100% Mild Steel



Post Consumer Recycled Content



Recyclable Content



Product specific design statement

Shard is one of naughtone's products that is **100%** recyclable, helping towards our positive environmental impact.

The **Shard** coat stand is machine bent from mild steel rod which is weld jointed together and polished by hand to a smooth surface. The base is then finished with durable polyester powder coat.

The **Shard** coat stand is supplied in a single piece and has no fixings.

CSR statement

naughtone has always considered the environment throughout our design and manufacturing process. We understand that as we continue to grow, so does our potential impact on our surroundings. As most of our raw materials are simple, we have great control over their sources, and are proud to be able to offer **FSC® certified** upholstered products and use recycled metals in our table ranges (**FSC® C134222**). The addition of our North American manufacturing provision also helps to keep manufacturing miles to a minimum, as our market continues to grow in the USA. Finally, naughtone offers a 'bring back' programme, where the client is able to return the product to our factory, where we will be happy to breakdown and recycle the parts for you.

Where sustainable sources are quoted, and a chain of custody is required by a customer this must be indicated on the purchase order to naughtone. A chain of custody requested after an order has been placed or delivered may be difficult to recover.

Figures stated in the Environmental product summary may vary based on model and options selected, we have based this document on a specific example when produced in the United Kingdom. Recycled content calculations are taken from supplier information and industry averages, material variables are likely to affect the figures which may result in higher or lower percentages.

This document will be reviewed and updated periodically and is subject to change without notice.



1 Design

Every aspect of the naughtone product ranges has been designed with the environment considered, from ethical material choice and production efficacy to storage efficiency and ease of disassembly.

Dense foam sets and resilient fabrics are selected for their longevity and effectiveness across sectors. Durable high quality finishes such as powder coated bases in a range of colours allow clients the freedom of finish options. Finish samples are available allowing clients to make informed decisions and retain to add to their finish libraries for future reference.

2 Raw Material

Local supply of raw materials is employed for the production of our products when possible, procured from suppliers that are quality inspected for extraction methods and meet the highest environmental standards.

3 Production

As many of our products are assembled by hand the energy expenditure wasted from machinery during the production process is kept to a minimum.

All fabrics are cut to ensure optimum efficiency with fabric usage and reduced waste consumption per unit.

All production sites have recycling facilities for any excess product that cannot be used elsewhere, which is then managed by a professional third party.

4 Distribution

Distribution of naughtone products generally occurs directly between the manufacturing site to the client. Production is localised when possible to the US or UK regions, reducing the carbon footprint and miles travelled for each product.

Many items are flat packed for delivery or shipped disassembled with efficient, minimised packaging; optimizing the transportation vessel space.

5 Usage

naughtone products do not require energy or water to function, thus no environmental exchange takes place and no waste is generated during the life of the product.

The only foreseeable need is the cleaning of the product for general maintenance. This includes regular vacuuming to remove dirt and dust particles on upholstery items, and using a dry or damp cloth to wipe non-upholstery items.

This is recommended for all products utilised under conditions of normal wear and is expected to have negligible environmental impacts.

6 End of Life

Although our products are durable and demonstrate timeless design, naughtone products are manufactured in such a way that they can be easily disassembled at the end of life and most of the componentry can be either recycled or re-used as applicable.

As a company we are also happy to accept the return of products, to help re-home or recycle furniture or components at the end of the products useful life.

naughtone

Useful Beautiful Furniture
British Designed
Since 2005

UK Showroom

6 Bakers Yard
Clerkenwell
London EC1R3DD

T: +44 (0)20 389 22 788

US Showroom

Suite 10-110
222 Merchandise Mart Plaza, Floor 10
Chicago IL 60654

naughtone HQ

Knaresborough Tech Park
Manse Lane
Knaresborough HG5 8LF

T: +44 (0) 1423 816 500