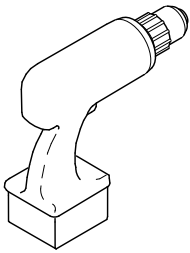
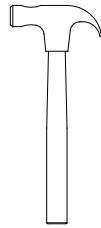




Tools Required:



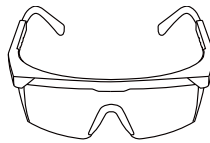
Power Driver



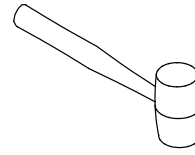
2 lbs Hammer



Torx Bit



Safety Glasses

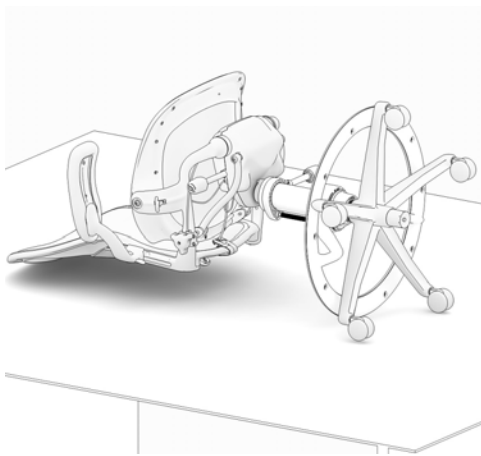


Rubber Mallet

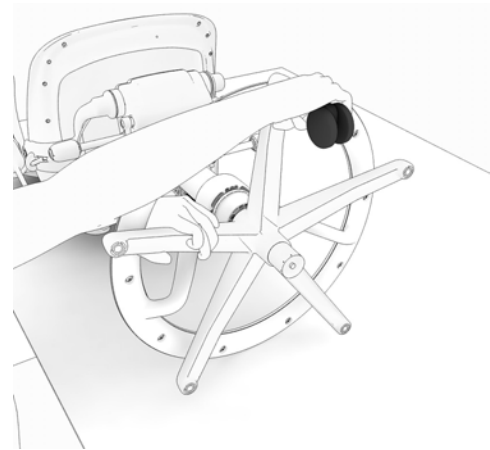
Materials Identification and Segregation:

Where possible, plastic components are marked with ASTM recycling codes. Use these codes to identify material type for recycling. Non marked components should be treated as mixed plastic. Ferrous metals can be identified using a small magnet for recycling. Non-ferrous metals should be separated and recycled separately.

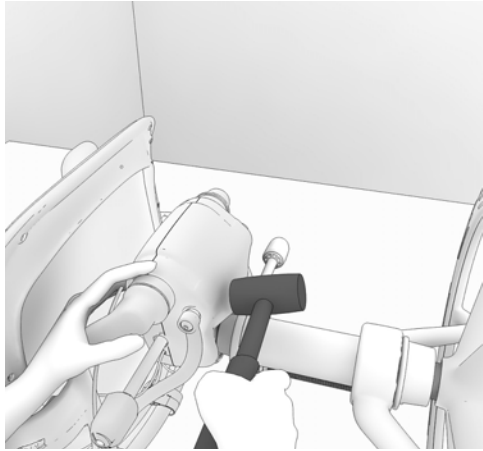
Disassembly Steps:



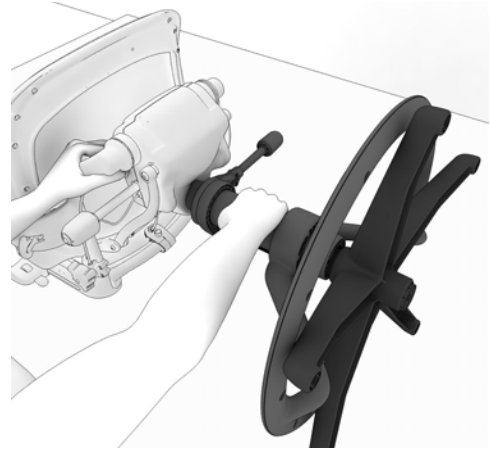
1. Lay chair on back.



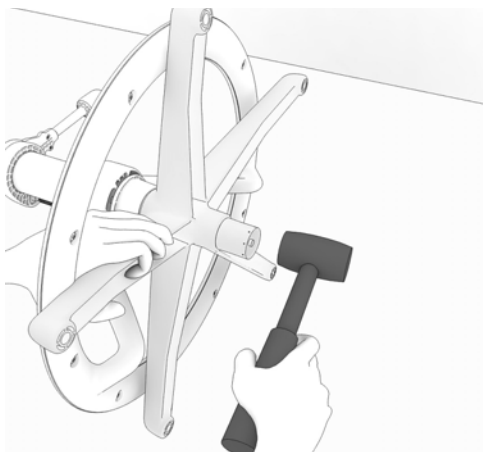
2. Grasp and pull to remove casters from the base.



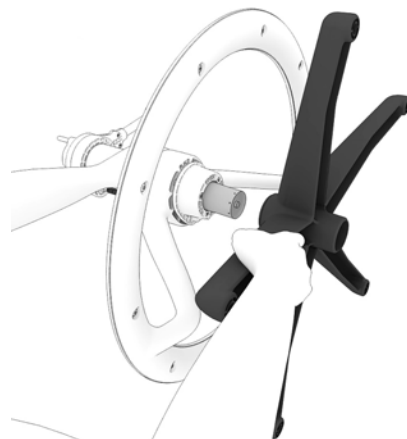
3. Hit the bottom of the chair with hammer until cylinder separates from chair.



4. Pull out the base from assembly.




5. Hold base legs firmly and strike the bottom of cylinder with a rubber mallet until base comes loose.



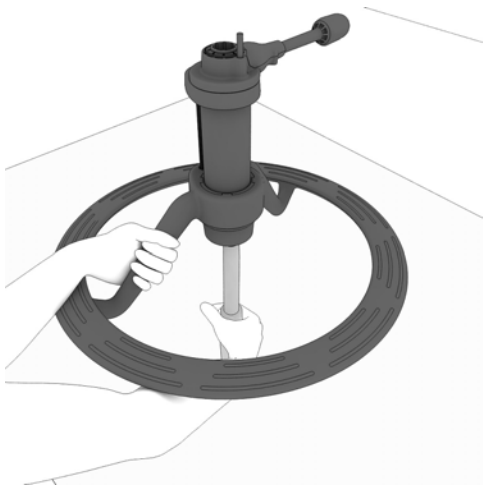
6. Remove base.

HermanMiller

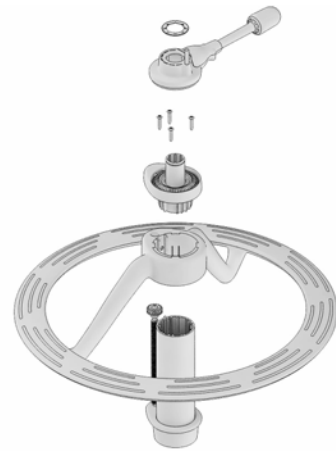
© 2014 Herman Miller, Inc. Zeeland, Michigan. Printed in the U.S.A.
©  HermanMiller, and Aeron are among the registered trademarks of Herman Miller, Inc.

Illustrations and specifications are based on the latest product information available at the time of publication. The right is reserved to make changes in design and specifications at any time, without notice, and also to discontinue products.

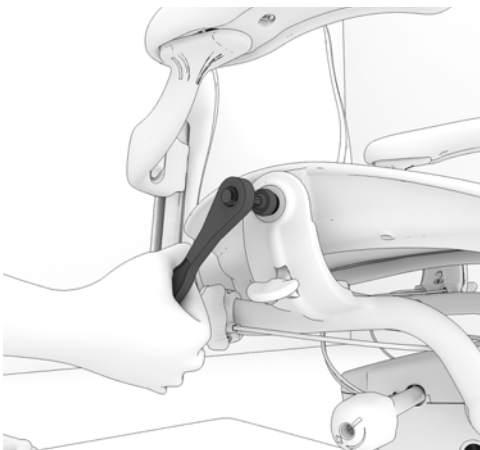
Part no. 1bgvtf rev A.



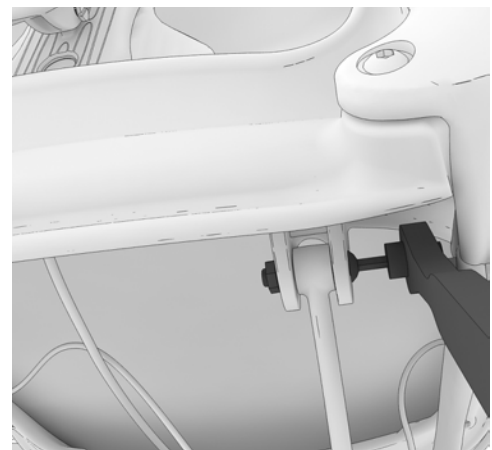
7. Remove foot ring from cylinder.



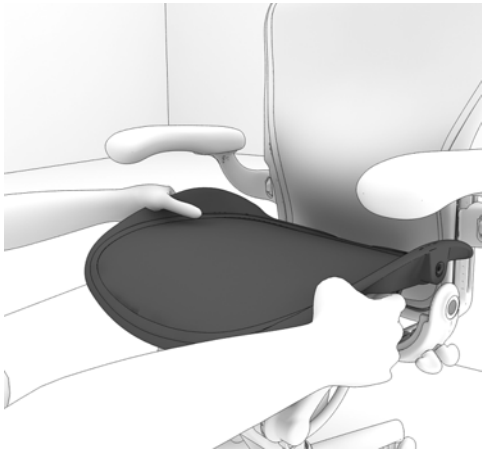
8. Disassemble the foot ring assembly.



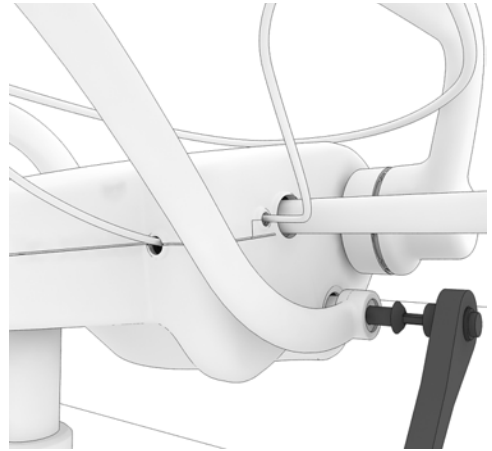
9. Using ratchet wrench and 6mm hex bit to remove hip pivot screw from each swing arm.



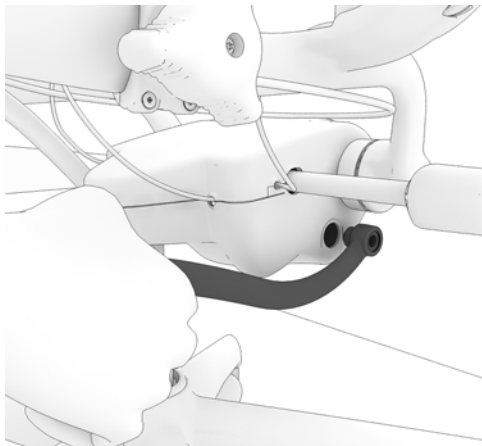
10. Using 10mm socket, ratchet wrench and 4mm hex key to remove nut and screw attaching seat link to seat frame.



11. Remove seat frame properly.

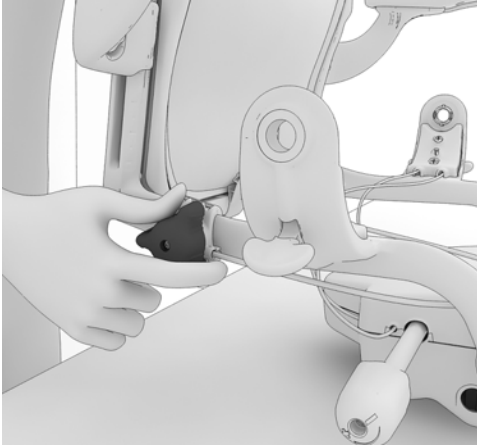


12. Using 6mm socket, ratchet wrench remove front B-link bolts.

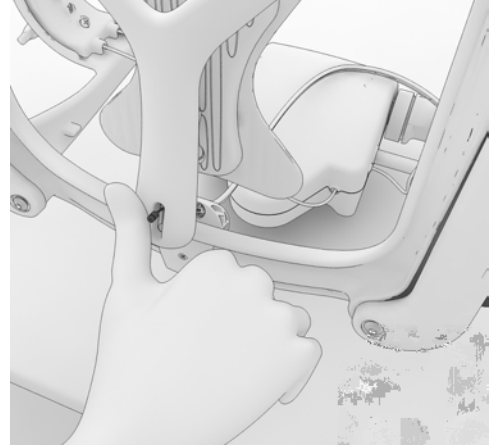


13. Remove the seat link.

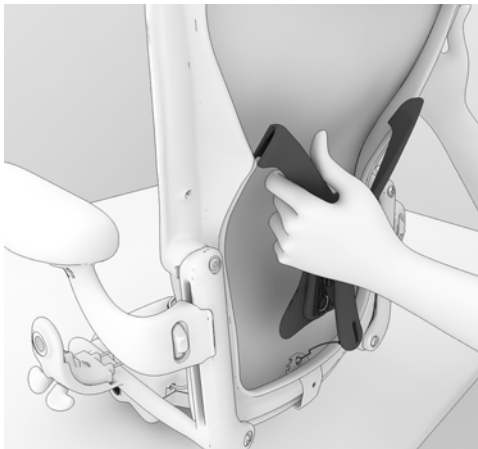
Posture Fit Removal:



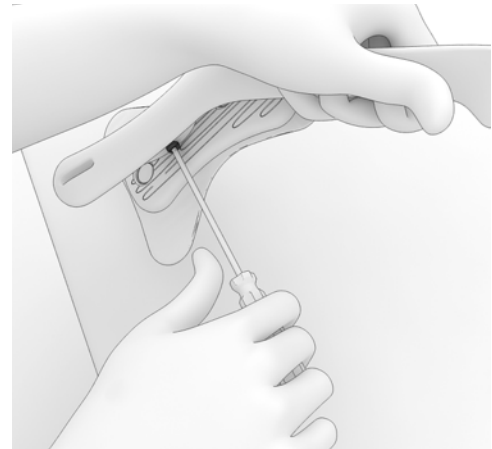
14. Adjust control mechanism counter-clockwise to set posture fit at minimum support setting.



15. Depress base of wishbone and disconnect cable end from keyhole slot in wishbone.



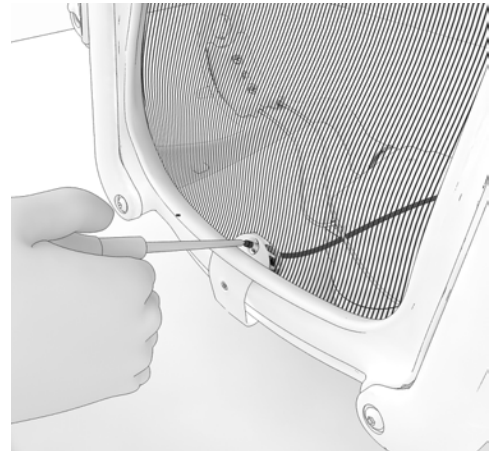
16. By hand, grasp wishbone upper arms and slide wishbone with support pad up off back frame.



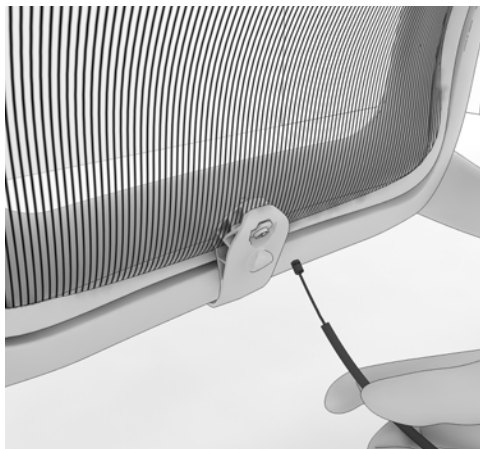
17. Using screwdrivers, remove screws from wishbone.



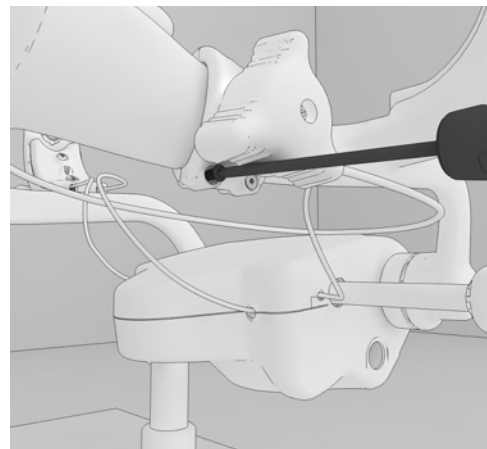
18. Dispose support pad and wishbone properly.



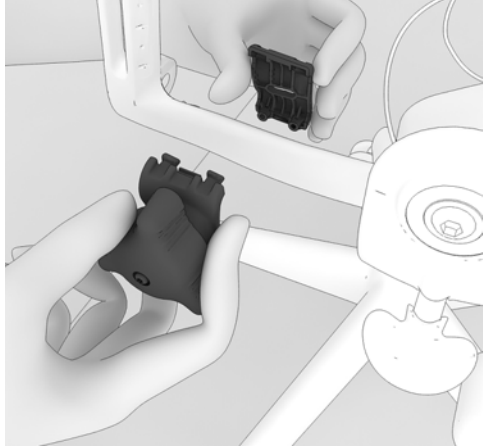
19. Carefully insert awl into pellicle and remove to create opening where cable tip will pass through.



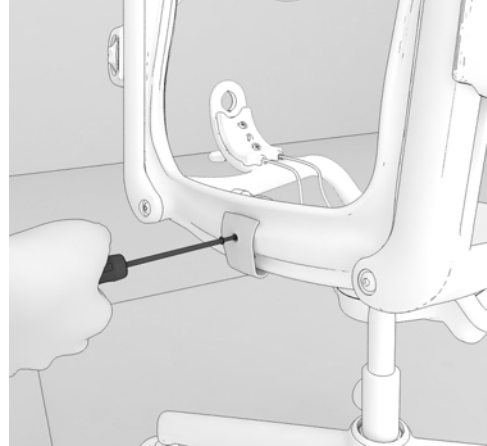
20. Slide cable sleeve into cable receiver.



21. Using #2 phillips head screwdriver, remove screws fastening mounting bracket to control mechanism.



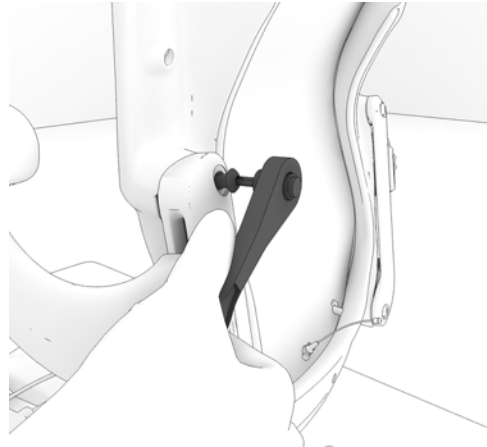
22. Remove control mechanism from swing arm.



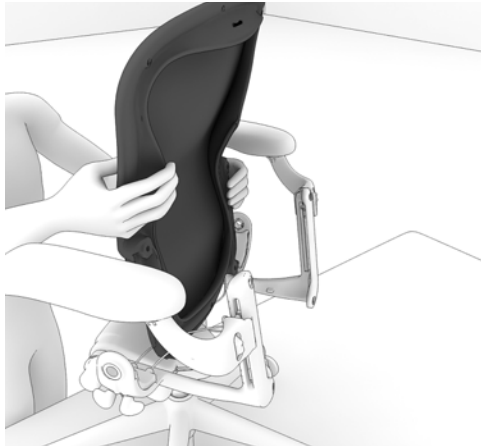
23. Using phillips screw driver, remove screw posture fit cable bracket to chair back frame.



24. Remove lumbar from back.



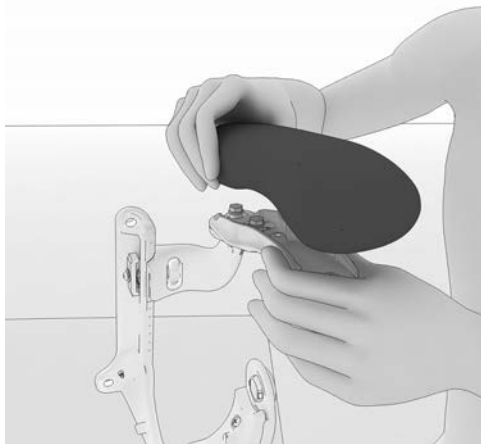
25. Using ratchet wrench and 5mm hex bit to remove (4) screws attaching back frame to swing arms.



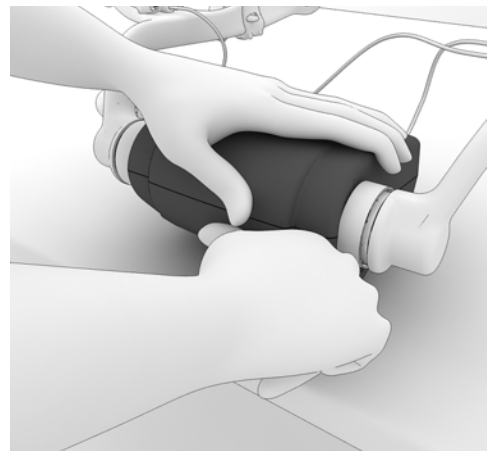
26. Remove back frame and set aside.



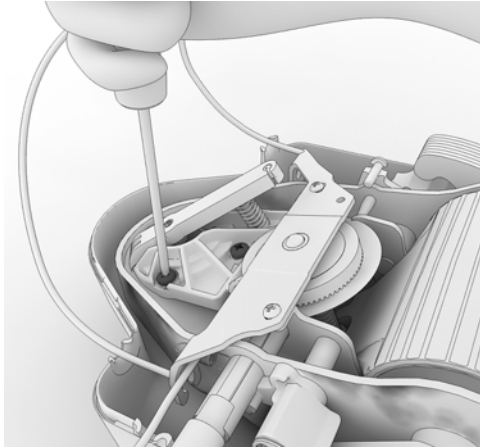
27. Using #2 phillips head screwdriver, remove screws.



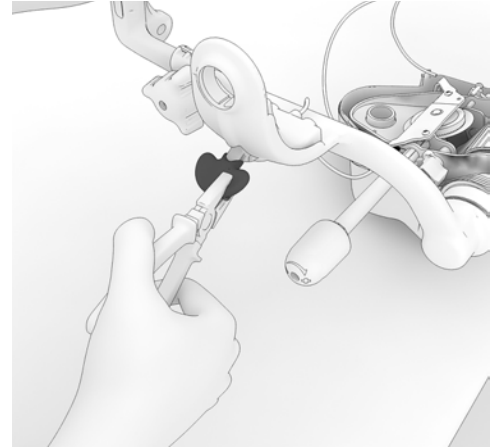
28. Dispose arm pad safely.



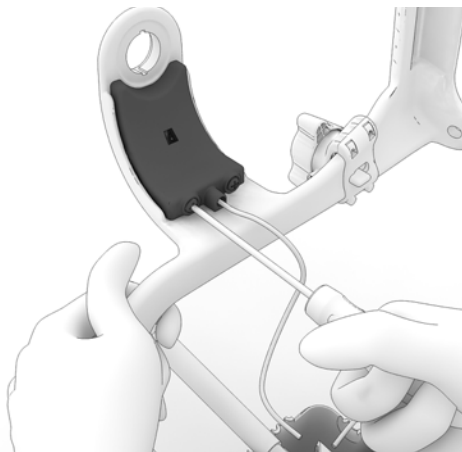
29. Remove upper tilt cover.



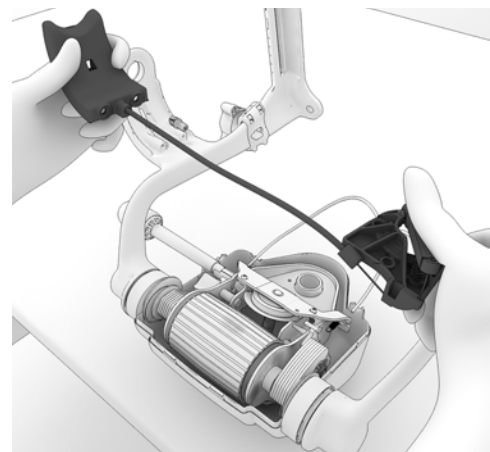
30. Using #2 phillips head screwdriver, remove and discard (2) screws securing pneumatic actuator to tilt.



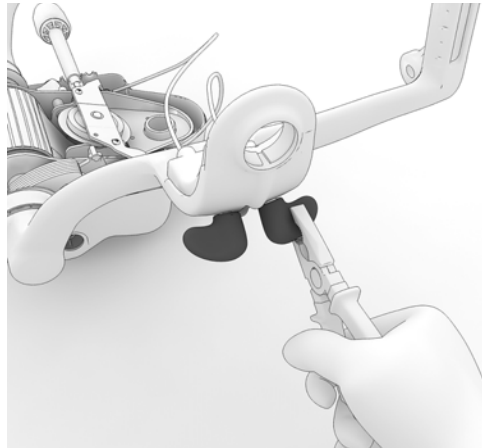
31. Using pliers, pull pneumatic knob from chair. Properly dispose of pneumatic knob.



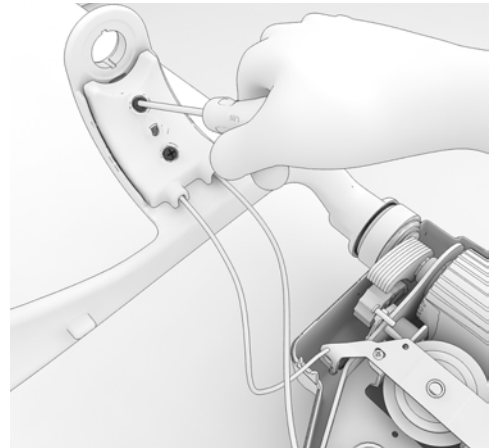
32. Using #2 phillips head screwdriver, remove and discard (2) screws securing pneumatic control end to swing arm.



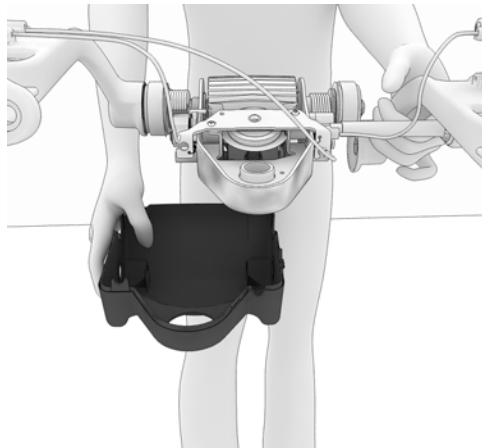
33. Remove pneumatic cable assembly from chair and dispose of properly.



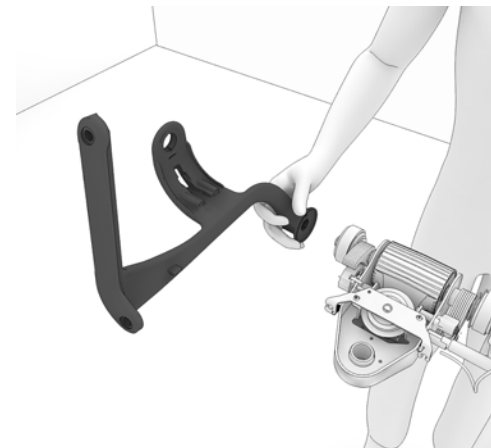
34. Using pliers, twist off appropriate tilt knobs from lever of tilt control.



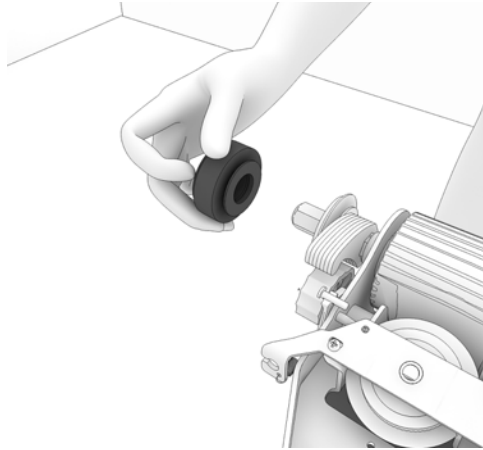
35. Using #2 Phillips head screwdriver, remove the screws from tilt control cover.



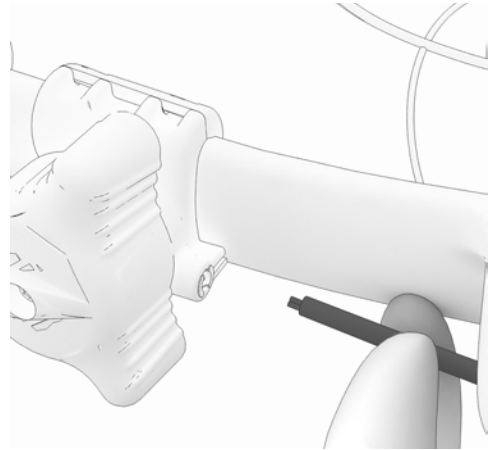
36. Remove lower tilt cover.



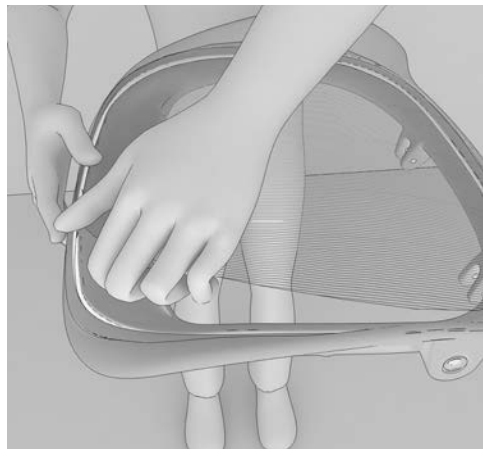
37. Remove swing arm.



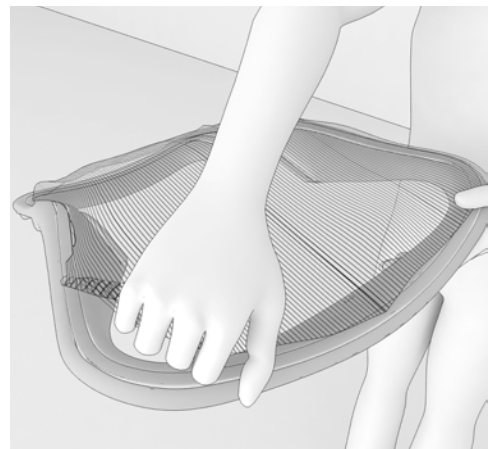
38. Remove Spacer from the tilt.



39. Remove Activation power cable.



40. Using hand pull the pellicle from the seat frame and remove.



41. Using hand pull the pellicle from the back frame and remove.